

Stahl/Stahl Axialgelenklager

Steel/Steel axial spherical plain bearings

GE ... HX

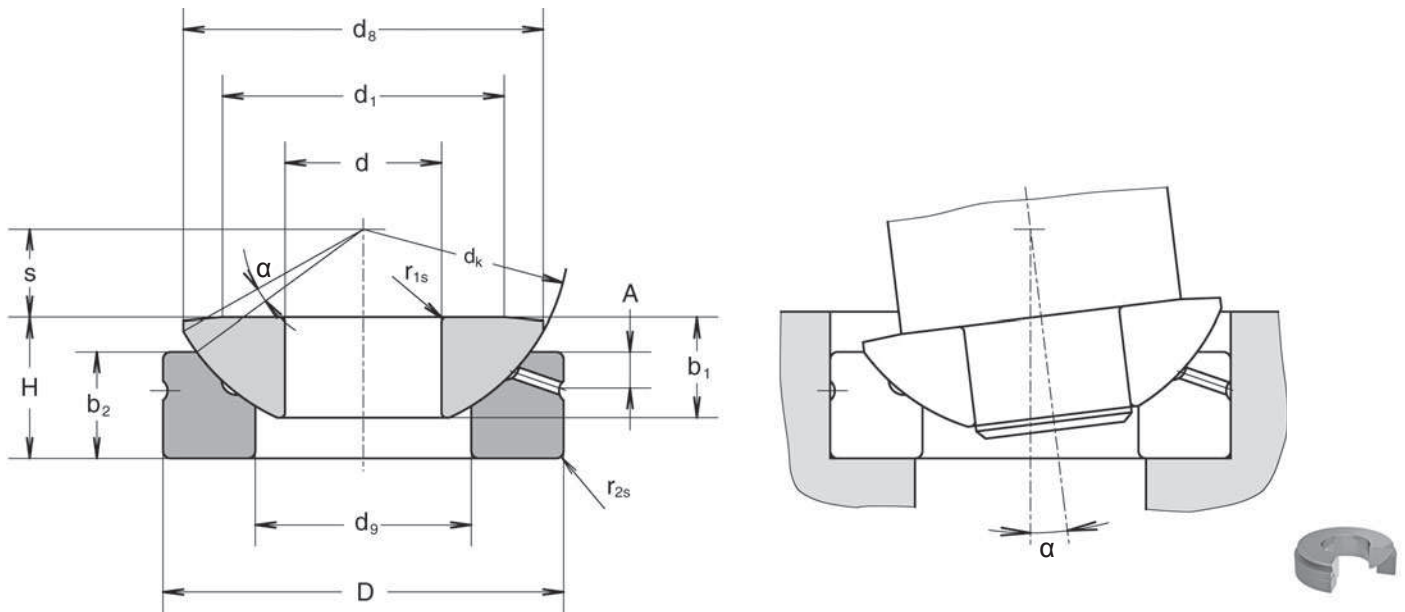
d = 20 ... 360 mm

Abmessungen:
nach DIN ISO 12240-3

Dimensions:
as per DIN ISO 12240-3



Typ Type	d mm	D	H	α °	s	d_k	Tragzahlen/Load ratings	
							statisch static C_0 kN	dynamisch dynamic C kN
GE 20 HX	20 ^{-0,010}	55 ^{-0,013}	20,0 ^{-0,4}	6,0	12,5	60	375	75
GE 25 HX	25 ^{-0,010}	62 ^{-0,013}	22,5 ^{-0,4}	7,0	14,0	66	640	129
GE 25/68 HX	25 ^{-0,010}	68 ^{-0,013}	23,0 ^{-0,4}	7,0	16,0	72	730	150
GE 30 HX	30 ^{-0,010}	75 ^{-0,013}	26,0 ^{-0,4}	6,0	17,5	80	850	170
GE 35 HX	35 ^{-0,012}	90 ^{-0,015}	28,0 ^{-0,4}	6,0	22,0	98	1290	260
GE 40 HX	40 ^{-0,012}	105 ^{-0,015}	32,0 ^{-0,4}	6,0	24,5	114	1860	370
GE 45 HX	45 ^{-0,012}	120 ^{-0,015}	36,5 ^{-0,4}	6,0	27,5	130	2450	490
GE 50 HX	50 ^{-0,012}	130 ^{-0,018}	42,5 ^{-0,4}	5,0	30,0	140	3250	655
GE 60 HX	60 ^{-0,015}	150 ^{-0,018}	45,0 ^{-0,4}	7,0	35,0	160	3650	730
GE 70 HX	70 ^{-0,015}	160 ^{-0,025}	50,0 ^{-0,4}	6,0	35,0	170	4050	800
GE 80 HX	80 ^{-0,015}	180 ^{-0,025}	50,0 ^{-0,4}	6,0	42,5	194	5200	1040
GE 100 HX	100 ^{-0,020}	210 ^{-0,030}	59,0 ^{-0,4}	7,0	45,0	220	6000	1200
GE 120 HX	120 ^{-0,020}	230 ^{-0,030}	64,0 ^{-0,4}	8,0	52,5	245	6200	1250
GE 140 HX	140 ^{-0,025}	260 ^{-0,035}	72,0 ^{-0,5}	6,0	52,5	272	8150	1630
GE 160 HX	160 ^{-0,025}	290 ^{-0,035}	77,0 ^{-0,5}	7,0	65,0	310	9500	1900
GE 180 HX	180 ^{-0,025}	320 ^{-0,040}	86,0 ^{-0,5}	8,0	67,5	335	10600	2120
GE 200 HX	200 ^{-0,030}	340 ^{-0,040}	87,0 ^{-0,6}	8,0	70,0	358	11800	2360
GE 220 HX	220 ^{-0,030}	370 ^{-0,040}	97,0 ^{-0,6}	7,0	75,0	388	14200	2850
GE 240 HX	240 ^{-0,030}	400 ^{-0,040}	103,0 ^{-0,6}	6,0	77,5	420	17100	3430
GE 260 HX	260 ^{-0,035}	430 ^{-0,045}	115,0 ^{-0,7}	7,0	82,5	449	19800	3970
GE 280 HX	280 ^{-0,035}	460 ^{-0,045}	110,0 ^{-0,7}	4,0	80,0	480	26800	5380
GE 300 HX	300 ^{-0,035}	480 ^{-0,045}	110,0 ^{-0,7}	3,5	80,0	490	27200	5440
GE 320 HX	320 ^{-0,040}	520 ^{-0,050}	116,0 ^{-0,8}	4,0	95,0	540	35200	7040
GE 340 HX	340 ^{-0,040}	540 ^{-0,050}	116,0 ^{-0,8}	4,0	95,0	550	39400	7900
GE 360 HX	360 ^{-0,040}	560 ^{-0,050}	125,0 ^{-0,8}	4,0	95,0	575	42400	8500



Typ Type	b ₁	b ₂	d ₁	d ₈	d ₉	A	r _{1s}	r _{2s}	Masse Mass kg	Artikelnr. Item no.
	mm									
GE 20 HX	14,3 ^{-0,24}	13,0 ^{-0,24}	40	50,0	33,5	6,0	0,8	1,2	0,25	027 154
GE 25 HX	16,0 ^{-0,24}	17,0 ^{-0,24}	45	57,5	34,5	6,0	0,8	1,2	0,38	027 155
GE 25/68 HX	17,0 ^{-0,24}	17,0 ^{-0,24}	50	62,0	37,0	7,0	0,8	1,2	0,49	027 156
GE 30 HX	18,0 ^{-0,24}	19,5 ^{-0,24}	56	69,0	44,0	8,0	0,8	1,2	0,65	027 157
GE 35 HX	22,0 ^{-0,24}	20,0 ^{-0,24}	66	84,0	52,0	8,0	1,0	1,5	1,00	027 158
GE 40 HX	27,0 ^{-0,24}	22,0 ^{-0,24}	78	98,0	59,0	9,0	1,0	1,5	1,60	027 159
GE 45 HX	31,0 ^{-0,24}	25,0 ^{-0,24}	89	112,0	68,0	11,0	1,0	1,5	2,40	027 160
GE 50 HX	33,5 ^{-0,24}	32,0 ^{-0,24}	98	122,5	69,0	10,0	1,0	1,5	3,30	027 161
GE 60 HX	37,0 ^{-0,30}	33,0 ^{-0,30}	108	140,0	86,0	12,5	1,2	1,5	4,50	027 162
GE 70 HX	40,0 ^{-0,30}	36,0 ^{-0,30}	121	149,5	95,0	13,5	1,2	1,5	5,50	027 163
GE 80 HX	42,0 ^{-0,30}	36,0 ^{-0,30}	130	168,0	108,0	14,5	1,2	1,5	7,00	027 164
GE 100 HX	50,0 ^{-0,40}	42,0 ^{-0,40}	155	195,5	133,0	15,0	1,5	1,5	10,00	027 165
GE 120 HX	52,0 ^{-0,40}	45,0 ^{-0,40}	170	214,0	154,0	16,5	1,5	1,5	13,00	027 166
GE 140 HX	61,0 ^{-0,50}	50,0 ^{-0,50}	198	244,0	176,0	23,0	1,5	2,0	18,00	027 167
GE 160 HX	65,0 ^{-0,50}	52,0 ^{-0,50}	213	272,0	199,0	23,0	1,5	2,0	23,00	027 168
GE 180 HX	70,0 ^{-0,50}	60,0 ^{-0,50}	240	300,0	224,0	26,0	2,0	2,0	31,00	027 169
GE 200 HX	74,0 ^{-0,60}	60,0 ^{-0,60}	265	321,0	246,0	27,0	2,0	2,0	34,00	027 170
GE 220 HX	82,0 ^{-0,60}	67,0 ^{-0,60}	289	350,0	265,0	28,0	2,0	2,0	44,40	027 892
GE 240 HX	87,0 ^{-0,60}	73,0 ^{-0,60}	314	382,0	294,0	30,0	2,0	2,0	55,60	027 893
GE 260 HX	95,0 ^{-0,70}	80,0 ^{-0,70}	336	409,0	317,0	33,0	2,0	2,0	69,40	027 894
GE 280 HX	100,0 ^{-0,70}	85,0 ^{-0,70}	366	445,0	337,0	35,0	4,0	4,0	82,60	027 895
GE 300 HX	100,0 ^{-0,70}	90,0 ^{-0,70}	388	460,0	356,0	37,0	4,0	4,0	87,40	027 896
GE 320 HX	105,0 ^{-0,80}	91,0 ^{-0,80}	405	500,0	380,0	38,0	5,0	5,0	109,50	027 897
GE 340 HX	105,0 ^{-0,80}	91,0 ^{-0,80}	432	510,0	380,0	38,0	5,0	5,0	114,40	027 898
GE 360 HX	115,0 ^{-0,80}	95,0 ^{-0,80}	452	535,0	400,0	40,0	5,0	5,0	129,00	027 899