

Stahl/Stahl Radialgelenklager

Steel/Steel radial spherical plain bearings

GE ... BN-A

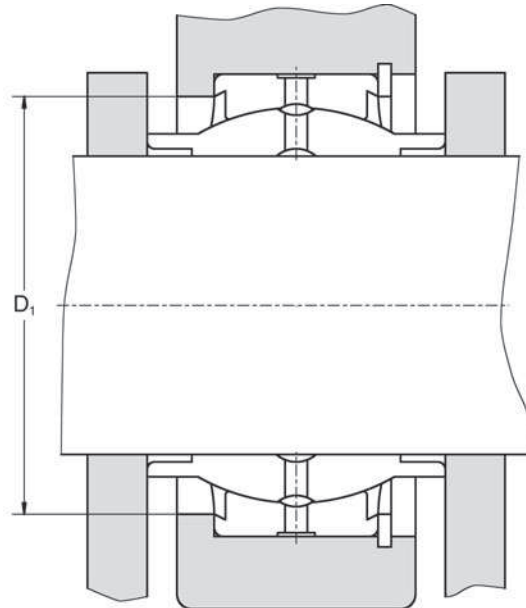
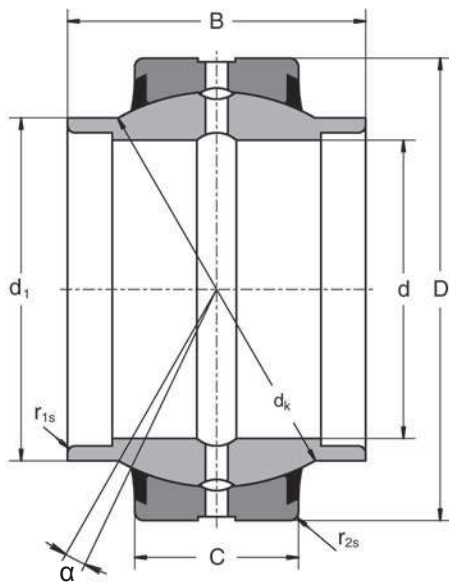
d = 20 ... 320 mm

Abmessungen:
nach DIN ISO 12240-1, Maßreihe W (Tabelle 6)

Dimensions:
as per DIN ISO 12240-1, dimension series W (table 6)



| Typ Type | d mm | D | B | C | d _k | Tragzahlen/Load ratings | |
|-------------|-----------------------|-----------------------|----------------------|----------------------|----------------|---|------------------------------|
| | | | | | | statisch static C ₀ kN | dynamisch dynamic C kN |
| GE 20 BN-A | 20 ^{+0,021} | 35 ^{-0,011} | 20 ^{-0,21} | 12 ^{-0,24} | 29,0 | 146 | 30 |
| GE 25 BN-A | 25 ^{+0,021} | 42 ^{-0,011} | 25 ^{-0,21} | 16 ^{-0,24} | 35,5 | 240 | 48 |
| GE 32 BN-A | 32 ^{+0,025} | 52 ^{-0,013} | 32 ^{-0,25} | 18 ^{-0,24} | 44,0 | 335 | 67 |
| GE 40 BN-A | 40 ^{+0,025} | 62 ^{-0,013} | 40 ^{-0,25} | 22 ^{-0,30} | 53,0 | 500 | 100 |
| GE 50 BN-A | 50 ^{+0,025} | 75 ^{-0,013} | 50 ^{-0,25} | 28 ^{-0,30} | 66,0 | 780 | 156 |
| GE 63 BN-A | 63 ^{+0,030} | 95 ^{-0,015} | 63 ^{-0,30} | 36 ^{-0,40} | 83,0 | 1270 | 255 |
| GE 70 BN-A | 70 ^{+0,030} | 105 ^{-0,015} | 70 ^{-0,30} | 40 ^{-0,40} | 92,0 | 1560 | 315 |
| GE 80 BN-A | 80 ^{+0,030} | 120 ^{-0,015} | 80 ^{-0,30} | 45 ^{-0,40} | 105,0 | 2000 | 400 |
| GE 90 BN-A | 90 ^{+0,035} | 130 ^{-0,018} | 90 ^{-0,35} | 50 ^{-0,50} | 115,0 | 2450 | 490 |
| GE 100 BN-A | 100 ^{+0,035} | 150 ^{-0,018} | 100 ^{-0,35} | 55 ^{-0,50} | 130,0 | 3050 | 610 |
| GE 110 BN-A | 110 ^{+0,035} | 160 ^{-0,025} | 110 ^{-0,35} | 55 ^{-0,50} | 140,0 | 3250 | 655 |
| GE 125 BN-A | 125 ^{+0,040} | 180 ^{-0,025} | 125 ^{-0,40} | 70 ^{-0,50} | 160,0 | 4750 | 950 |
| GE 160 BN-A | 160 ^{+0,040} | 230 ^{-0,030} | 160 ^{-0,40} | 80 ^{-0,60} | 200,0 | 6800 | 1370 |
| GE 200 BN-A | 200 ^{+0,046} | 290 ^{-0,035} | 200 ^{-0,46} | 100 ^{-0,70} | 250,0 | 10600 | 2120 |
| GE 250 BN-A | 250 ^{+0,046} | 400 ^{-0,040} | 250 ^{-0,46} | 120 ^{-0,80} | 350,0 | 18000 | 3550 |
| GE 320 BN-A | 320 ^{+0,057} | 520 ^{-0,050} | 320 ^{-0,57} | 160 ^{-0,90} | 450,0 | 30500 | 6100 |



| Typ Type | α ° | r_{1s} mm | r_{2s} | d_1 | D_1 | Masse Mass kg | Artikelnr. Item no. |
|-------------|---------------|----------------|----------|-------|-------|---------------------|------------------------|
| GE 20 BN-A | 4 | 0,8 | 1,0 | 25,0 | 29 | 0,1 | 025 150 |
| GE 25 BN-A | 4 | 0,8 | 1,0 | 30,5 | 34 | 0,1 | 025 151 |
| GE 32 BN-A | 4 | 0,8 | 1,2 | 38,0 | 43 | 0,2 | 025 152 |
| GE 40 BN-A | 4 | 1,0 | 1,2 | 46,0 | 51 | 0,3 | 025 153 |
| GE 50 BN-A | 4 | 1,0 | 1,2 | 57,0 | 64 | 0,5 | 025 154 |
| GE 63 BN-A | 4 | 1,2 | 1,5 | 71,5 | 81 | 1,2 | 025 155 |
| GE 70 BN-A | 4 | 1,2 | 1,5 | 79,0 | 90 | 1,7 | 025 148 |
| GE 80 BN-A | 4 | 1,2 | 1,5 | 91,0 | 100 | 2,4 | 025 156 |
| GE 90 BN-A | 4 | 1,5 | 1,5 | 99,0 | 115 | 3,2 | 025 149 |
| GE 100 BN-A | 4 | 1,5 | 1,5 | 113,0 | 124 | 4,8 | 025 157 |
| GE 110 BN-A | 4 | 1,5 | 1,5 | 124,0 | 135 | 5,8 | 025 158 |
| GE 125 BN-A | 4 | 1,5 | 1,5 | 138,0 | 156 | 8,5 | 025 159 |
| GE 160 BN-A | 4 | 1,5 | 1,5 | 177,0 | 196 | 16,5 | 025 160 |
| GE 200 BN-A | 4 | 2,0 | 2,0 | 221,0 | 245 | 32,0 | 025 161 |
| GE 250 BN-A | 4 | 2,0 | 2,0 | 317,0 | 346 | 99,0 | 025 162 |
| GE 320 BN-A | 4 | 4,0 | 4,0 | 405,0 | 444 | 240,0 | 025 163 |