

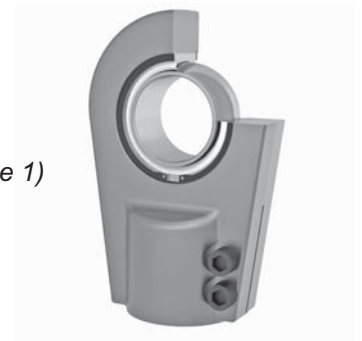
Wartungsfreie Gelenkköpfe

Rod ends, maintenance-free

GK ... NK

d = 20 ... 120 mm

montierte Gelenklager: GE...HW-A nach DIN ISO 12240-1, Maßreihe E (Tabelle 1)
spherical plain bearing: GE...HW-A as per DIN ISO 12240-1, dimension series E (table 1)



Abmessungen:

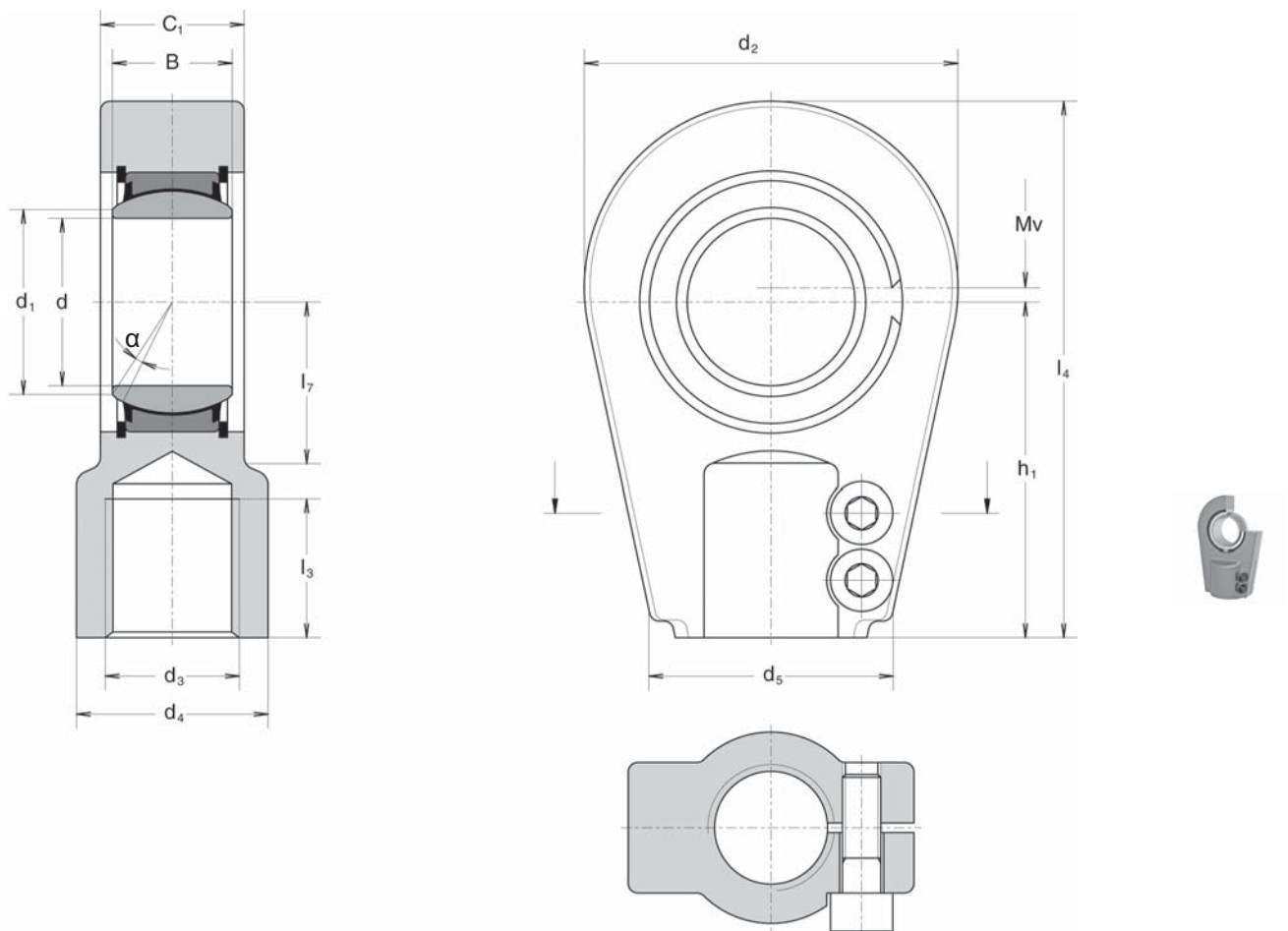
gedrungenen kompakte Bauweise mit Gewindesicherung durch Klemmung

Dimensions:

compact design with fine female clamping thread

Bestellbeispiel für Nenndurchmesser d = 120 mm **Gelenkkopf GK 120 NK** **025 412**
 Order example for nominal diameter d = 120 mm **rod end GK 120 NK** **025 412**

| Typ Type | d | B | h ₁ | d ₃ | l ₃ | d ₂ | d ₅ | Tragzahlen/Load ratings | |
|-------------|-----------------------|----------------------|----------------|----------------|----------------|----------------|----------------|--|---------------------------------|
| | | | | | | | | statisch static C ₀ kN | dynamisch dynamic C kN |
| GK 20 NK | 20 ^{-0,010} | 16 ^{-0,120} | 50 | M 16 x 1,5 | 17 | 56 | 36 | 53 | 31,5 |
| GK 25 NK | 25 ^{-0,010} | 20 ^{-0,120} | 50 | M 16 x 1,5 | 17 | 56 | 36 | 54 | 51 |
| GK 30 NK | 30 ^{-0,010} | 22 ^{-0,120} | 60 | M 22 x 1,5 | 23 | 64 | 40 | 69 | 65,5 |
| GK 35 NK | 35 ^{-0,012} | 25 ^{-0,120} | 70 | M 28 x 1,5 | 29 | 78 | 50 | 118 | 112 |
| GK 40 NK | 40 ^{-0,012} | 28 ^{-0,120} | 85 | M 35 x 1,5 | 36 | 94 | 60 | 184 | 140 |
| GK 50 NK | 50 ^{-0,012} | 35 ^{-0,120} | 105 | M 45 x 1,5 | 46 | 116 | 72 | 231 | 220 |
| GK 60 NK | 60 ^{-0,015} | 44 ^{-0,150} | 130 | M 58 x 1,5 | 59 | 130 | 90 | 363 | 345 |
| GK 70 NK | 70 ^{-0,015} | 49 ^{-0,150} | 150 | M 65 x 1,5 | 66 | 154 | 100 | 463 | 440 |
| GK 80 NK | 80 ^{-0,015} | 55 ^{-0,150} | 170 | M 80 x 2 | 81 | 176 | 125 | 600 | 570 |
| GK 90 NK | 90 ^{-0,020} | 60 ^{-0,200} | 210 | M 100 x 2 | 101 | 206 | 146 | 815 | 695 |
| GK 100 NK | 100 ^{-0,020} | 70 ^{-0,200} | 235 | M 110 x 2 | 111 | 230 | 166 | 1068 | 865 |
| GK 110 NK | 110 ^{-0,020} | 70 ^{-0,200} | 265 | M 120 x 3 | 125 | 265 | 190 | 1180 | 930 |
| GK 120 NK | 120 ^{-0,020} | 85 ^{-0,200} | 310 | M 130 x 3 | 135 | 340 | 217 | 2546 | 1340 |



| Typ Type | α ° | d_1 mm | d_4 mm | C_1 mm | l_4 mm | l_7 mm | Mv | Zylinder schraube Cylinder- screw | MA | Masse Mass | Artikelnr. Item no. |
|-------------|---------------|-------------|-------------|-------------|-------------|-------------|----|--|-----|---------------|------------------------|
| | | | | | | | | DIN 912-8.8 | Nm | kg | |
| GK 20 NK | 9 | 24 | 25 | 19 | 80 | 25 | 2 | M 6 x 16 | 10 | 0,37 | 025 400 |
| GK 25 NK | 7 | 29 | 25 | 23 | 80 | 28 | 2 | M 6 x 20 | 10 | 0,43 | 025 401 |
| GK 30 NK | 6 | 34 | 32 | 28 | 94 | 30 | 2 | M 6 x 25 | 10 | 0,7 | 025 402 |
| GK 35 NK | 6 | 39,5 | 40 | 30 | 112 | 38 | 3 | M 8 x 25 | 25 | 1,1 | 025 403 |
| GK 40 NK | 7 | 45 | 49 | 35 | 135 | 45 | 3 | M 8 x 30 | 25 | 1,3 | 025 404 |
| GK 50 NK | 6 | 56 | 61 | 40 | 168 | 55 | 5 | M 10 x 35 | 49 | 3,2 | 025 405 |
| GK 60 NK | 6 | 66,5 | 75 | 50 | 200 | 65 | 5 | M 10 x 45 | 49 | 5,4 | 025 406 |
| GK 70 NK | 6 | 77,5 | 86 | 55 | 232 | 75 | 5 | M 12 x 50 | 86 | 8,5 | 025 407 |
| GK 80 NK | 6 | 89 | 102 | 60 | 265 | 80 | 7 | M 16 x 50 | 210 | 12,1 | 025 408 |
| GK 90 NK | 5 | 98 | 124 | 65 | 323 | 90 | 10 | M 16 x 60 | 210 | 21,4 | 025 409 |
| GK 100 NK | 7 | 109,5 | 138 | 70 | 360 | 105 | 10 | M 20 x 60 | 410 | 27,4 | 025 410 |
| GK 110 NK | 6 | 121 | 152 | 80 | 407,5 | 115 | 10 | M 20 x 70 | 410 | 40,7 | 025 411 |
| GK 120 NK | 6 | 135,5 | 172 | 90 | 490 | 140 | 10 | M 24 x 80 | 710 | 76,3 | 025 412 |